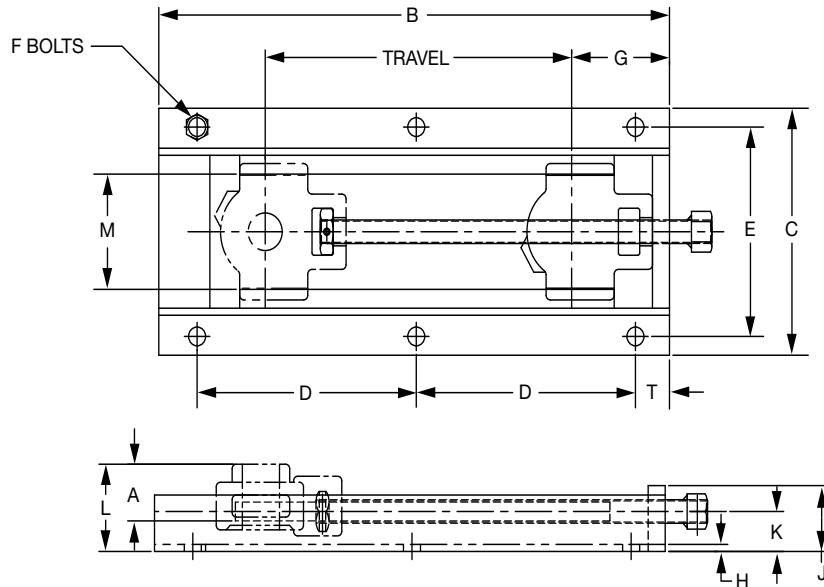




SELECTION/DIMENSIONS

Take-Up Frames - WS WIDE SLOT BALL BEARING TAKE-UP FRAMES



Frame Description	Part No.	Wt.	A	B	C	D	E	F		G	H	J	K	M	S Screw Dia.	T	
								No.	Dia.								
WS-300X1-1/2-TUFR	038200	4.8	See chart on page B19-14 for list of reference pages for Take-Up Bearings	7-1/2		5-3/8		4									
WS-300X3-TUFR	038201	5.5		9		6-7/8		4									
WS-300X6-TUFR	038202	7		12	6-9/16	4-15/16	5-9/16	6	7/16	2-15/16	3/16	1-3/4	1-1/16	3-1/16	5/8	1	
WS-300X9-TUFR	038203	8.5		15		6-7/16		6									
WS-300X12-TUFR	038204	10		18		7-15/16		6									
WS-308X3-TUFR	038205	7.5	See Table on Page B19-13 for "L" Dim.	9-1/8		6-7/16		4									
WS-308X6-TUFR	038206	9		12-1/8		9-7/16		4									
WS-308X9-TUFR	038207	10.5		15-1/8	7-1/16	6-7/32	6-1/16	6	7/16	3-11/16	3/16	2	1-1/4	3-9/16	3/4	1	
WS-308X12-TUFR	038208	12		18-1/8		7-23/32		6									
WS-308X18-TUFR	038209	15		24-1/8		10-23/32		6									
WS-400X3-TUFR	038210	11.5	See Table on Page B19-13 for "L" Dim.	10-3/4		8-1/2		4									
WS-400X6-TUFR	038211	14		13-3/4		11-1/2		4									
WS-400X9-TUFR	038212	16.5		16-3/4	8-13/16	7-1/4	7-5/16	6	1/2	4-5/16	3/16	2-1/4	1-7/16	4-1/16	1	1-1/8	
WS-400X12-TUFR	038213	19		19-3/4		8-3/4		6									
WS-400X18-TUFR	038214	24		25-3/4		11-3/4		6									
WS-502X6-TUFR	038215	20		14-3/4		12-1/2		4									
WS-502X9-TUFR	038216	23.5		17-3/4		15-1/2		4									
WS-502X12-TUFR	038217	27		20-3/4	10-7/16	9-1/4	8-5/8	6	9/16	5-11/16	3/16	2-1/2	1-1/2	5-3/16	1-1/4	1-1/8	
WS-502X15-TUFR	038218	30.5		23-3/4		10-3/4		6									
WS-502X18-TUFR	038219	34		26-3/4		12-1/4		6									
WS-502X24-TUFR	038220	41	32-3/4		15-1/4		6										
WS-515X9-TUFR	038221	36		20-7/8		17-1/2		4									
WS-515X12-TUFR	038222	41		23-7/8		10-1/4		6									
WS-515X18-TUFR	038223	51		29-7/8	12	13-1/4	10-1/4	6	5/8	6-1/2	1/4	3	2	6	1-1/2	2-1/2	
WS-515X24-TUFR	038224	61		35-7/8		16-1/4		6									
WS-515X30-TUFR	038225	71		41-7/8		19-1/4		6									
WS-608X12-TUFR	038226	41		23-7/8		10-1/4		6									
WS-608X18-TUFR	038227	51		29-7/8		13-1/4	10-13/16	6	5/8	6-1/2	1/4	3	2	6-9/16	1-1/2	2-1/2	
WS-608X24-TUFR	038228	61		35-7/8	12-9/16	16-1/4		6									
WS-608X30-TUFR	038229	71		41-7/8		19-1/4		6									

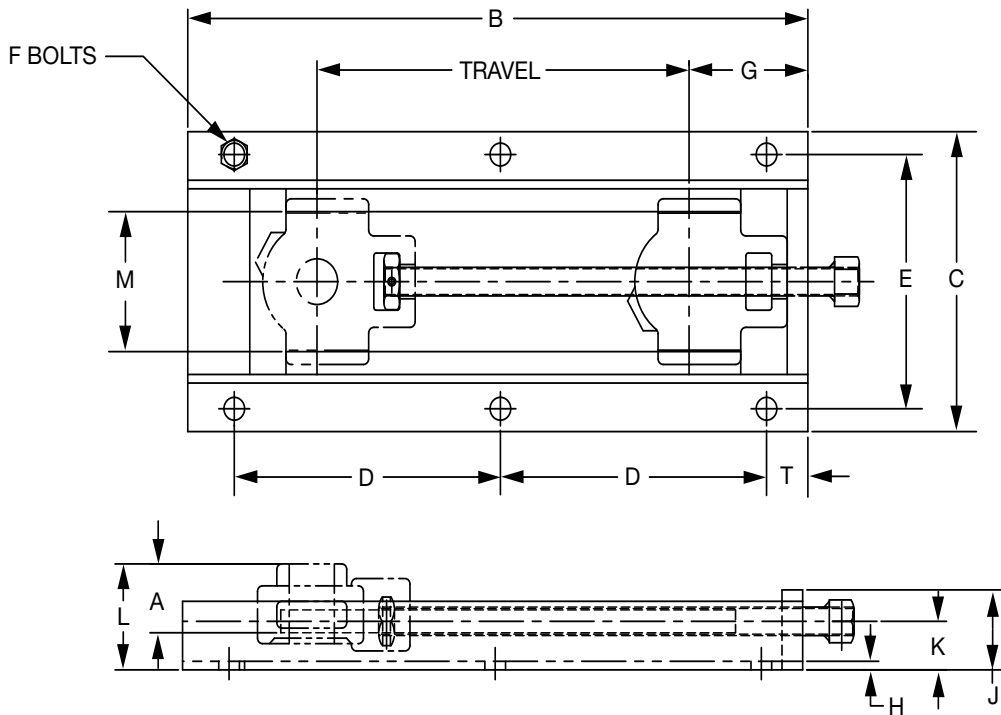
FEATURES/BENEFITS PAGE B19-2	HOW TO ORDER/NOMENCLATURE PAGE B19-7	SELECTION/DIMENSIONS PAGE B19-8
---------------------------------	---	------------------------------------



SELECTION/DIMENSIONS

Take-Up Frames - WS

ULTRA KLEEN (Stainless Steel) WIDE SLOT BALL BEARING TAKE-UP FRAME



Frame Description	Part No.	Wt.	A	B	C	D	E	F		G	H	J	K	M	S Screw Dia.	T
								No.	Dia.							
WSEZ-300X3-TUFR-SSS	038070	6	See page B2-66 to B2-71 for E-Z KLEEN Wide Slot Take-Up Bearings	9	6-9/16	6-7/8	5-9/16	4	1/2	2-15/16	3/16	1-3/4	1-1/16	3-1/16	5/8	1
WSEZ-300X6-TUFR-SSS	038071	7.9		12		4-15/16		6								
WSEZ-300X9-TUFR-SSS	038072	9.8		15		6-7/16		6								
WSEZ-300X12-TUFR-SSS	038073	11.7		18		7-15/16		6								
WSEZ-308X3-TUFR-SSS	038074	7.3	9-1/8	7-1/16	6-7/16	6-1/16	4	1/2	3-11/16	3/16	2	1-1/4	3-9/16	3/4	1	
WSEZ-308X6-TUFR-SSS	038075	9.4	12-1/8		9-7/16		4									
WSEZ-308X9-TUFR-SSS	038076	11.4	15-1/8		6-7/32		6									
WSEZ-308X12-TUFR-SSS	038077	13.4	18-1/8		7-23/32		6									
WSEZ-308X18-TUFR-SSS	038078	17.4	24-1/8	10-23/32	6											
WSEZ-400X3-TUFR	038060	11.5	See Table on Page B19-13 for "L" Dim.	10-3/4	8-13/16	8-1/2	7-5/16	4	1/2	4-5/16	3/16	2-1/4	1-7/16	4-1/16	1	1-1/8
WSEZ-400X6-TUFR	038061	14	13-3/4	11-1/2		4										
WSEZ-400X9-TUFR	038062	16.5	16-3/4	7-1/4		6										
WSEZ-400X12-TUFR	038063	19	19-3/4	8-3/4		6										
WSEZ-400X18-TUFR	038064	24	25-3/4	11-3/4		6										

See table on page B19-13 for "L" dimension.

FEATURES/BENEFITS PAGE B19-2	HOW TO ORDER/NOMENCLATURE PAGE B19-7	SELECTION/DIMENSIONS PAGE B19-8
---------------------------------	---	------------------------------------

Eccentric Collar Ball Bearings
 Setscrew VSC Ball Bearing
 Eccentric SXV Collar Ball Bearing
 Take-Up Frames
 Engineering
 Part Number Index
 Keyword Index



SELECTION/DIMENSIONS

Take-Up Frames - Wide Slot Frame L DIMENSION

Series	Shaft Size	Take Up Frame No. Ref.	L				
			VSC SC	SXR	SXV	DL	GT
204	1/2	WS-300	1.79	2.11	1.98	1.84	2.08
	5/8						
	3/4						
205	7/8	WS-300	1.84	2.12	1.98	1.94	2.04
	15/16						
	1						
206	1-1/16	WS-308	2.19	2.44	2.30	2.23	2.34
	1-1/8						
	1-3/16						
	1-1/4						
207	1-1/4	WS-308	2.29	2.53	2.41	2.33	2.33
	1-5/16						
	1-3/8						
	1-7/16						
208	1-1/2	WS-400	2.63	2.81	2.72	2.70	2.67
	1-5/8						
209	1-5/8	WS-400	2.63	2.786	2.70	2.70	3.67
	1-11/16						
	1-3/4						
210	1-15/16	WS-400	2.63	2.94	2.70	2.70	2.67
	2						
211	2	WS-502	2.85	3.21	2.79	2.87	2.76
	2-3/16						
	2-1/4						
212	2-1/4	WS-502	2.91	3.34	N/A	2.98	2.89
	2-7/16						
214	2-1/2	WS-515	3.48	N/A	N/A	3.54	3.55
	2-11/16						
215	2-15/16	WS-515	3.47	4.16	N/A	3.58	3.60

Series	Shaft Size	Take Up Frame No. Ref.	L		
			SCM	DLM	GTM
206	1	WS-308	2.19	2.23	2.34
207	1-3/16	WS-308	2.29	2.33	2.33
	1-1/4				
208	1-7/16	WS-400	2.63	2.70	2.67
209	1-1/2	WS-400	2.63	2.70	2.67
210	1-11/16	WS-400	2.63	2.70	2.67
	1-3/4				
211	1-15/16	WS-502	2.85	2.87	2.76
	2				
212	2-3/16	WS-502	2.91	2.98	2.89
	2-1/4				
214	2-7/16	WS-515	3.48	3.54	3.55
	2-1/2				
215	2-11/16	WS-515	3.47	3.58	3.60
216	2-15/16	WS-608	3.50	3.74	3.81

FEATURES/BENEFITS PAGE B19-2	HOW TO ORDER/NOMENCLATURE PAGE B19-7	SELECTION/DIMENSIONS PAGE B19-8
---------------------------------	---	------------------------------------

Eccentric Collar Ball Bearing

Setscrew VSC Ball Bearing

Eccentric SXV Collar Ball Bearing

Take-Up Frames

Engineering

Part Number Index

Keyword Index



SELECTION/DIMENSIONS

Wide Slot (WS) Take-Up Frame Bearings

**NORMAL DUTY
SETSCREW - SC, VSC
D-LOK - DL
ECCENTRIC LOCK - SXR, SXV
GRIP TIGHT - GT**

Series	Shaft Size	Frame Size
204	1/2	WS-300
	5/8	
	3/4	
	20mm	
205	7/8	WS-300
	15/16	
	1	
206	25mm	WS-308
	1-1/16	
	1-1/8	
	1-3/16	
	1-1/4	
207	30mm	WS-308
	1-1/4	
	1-5/16	
	1-3/8	
208	1-7/16	WS-400
	35mm	
	1-1/2	
209	1-5/8	WS-400
	40mm	
210	1-11/16	WS-400
	1-3/4	
	45mm	
211	1-15/16	WS-502
	2	
212	50mm	WS-502
	2	
	2-3/16	
214	2-1/4	WS-515
	55mm	
	2-1/4	
215	2-7/16	WS-515
	60mm	
	2-1/2	
216	2-11/16	WS-608
	70mm	
217	2-15/16	WS-608
	75mm	

- Wide Slot Take-Up Frames Are Not Supplied With Bearings. First Match The Take-Up Frame With The Bearing Size From This Page. Then Turn To The Page Listed For The Specific Bearing Part Number.
- EZ-KLEEN Polymer Housing - B2-66 to B2-71
- Grip Tight (GT & GTM) - B5-54 to B5-59
- Setscrew (SC, SCM & VSC) - B8-20 to B8-23
- Eccentric Lock (SXR and SXV) - B7-34 to B7-35
- D-LOK (DL and DLM) - B6-46 to B6-49
- See B19-11 For Wide Slot Take-Up Frame Travel Options And Part Numbers

**MEDIUM DUTY
SETSCREW - SCM, VSC
D-LOK - DLM
GRIP TIGHT - GTM**

Series	Shaft Size	Frame Size
206	1	WS-308
	25mm	
207	1-3/16	WS-308
	1-1/4	
	30mm	
208	1-7/16	WS-400
	35mm	
209	1-1/2	WS-400
	40mm	
210	1-11/16	WS-400
	1-3/4	
211	45mm	WS-502
	1-15/16	
212	2	WS-502
	50mm	
214	2-3/16	WS-515
	2-1/4	
	55mm	
215	2-7/16	WS-515
	2-1/2	
216	2-11/16	WS-608
	70mm	
217	2-15/16	WS-608
	75mm	